



Acme Sanitary Ware Co. Ltd.

1/F, Acme Building, 22-28 Nanking Street, Kowloon, Hong Kong

Tel: 2388 7171 Fax: 2710 8012



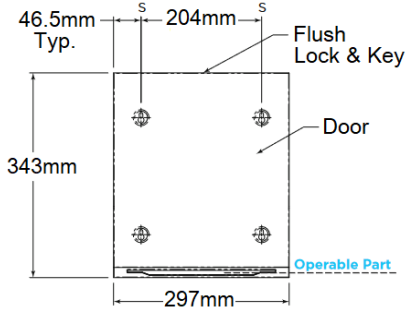
Email: acme@acmesanitary.com.hk

Since 1949

Website: www.acmesanitary.com.hk

PROJECT		REF		REV	ITEM CODE	
LOCATION		DATE			PAGE	

SANITARY WARE SPECIFICATION SHEET

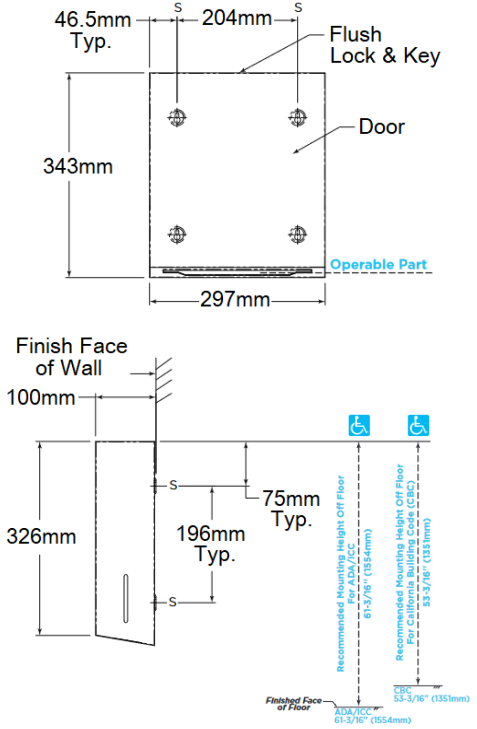
Item Descriptions	Bobrick (USA) "fino collection" Surface mounted paper towel dispenser	Illustration/ Drawing   
Dimensions	L297 x W100 x H343 mm	
Model	B-9262	
Material/ Finish	Stainless Steel/ Satin	
Manufacturer	Bobrick Washroom Equipment Inc. (USA)	
Supplier	Acme Sanitary Ware Co. Ltd Mr. Eric Wong/ Mr. Don Yuen	
Contact Tel/Fax	(852) 2388-7171 / (852) 2710-8012	
E-mail Website	acme@acmesanitary.com.hk www.acmesanitary.com.hk	

MATERIALS:
 Cabinet — Unit is of type 304 gauge, 18 gauge (1,2mm) stainless steel. All heliarc welded construction with well defined edges and corners. Cabinet is connected to backplate via a hinge at the unit's rear bottom, which prevents paper towels from falling out when opening. Cabinet-swing-limiter allows cabinet to open down to a horizontal position, which eases refill of paper towels and prevents cabinet from harming the wall when opening. Integrated TowelMate®. Equipped with a tumbler lock keyed like other Bobrick washroom accessories. Lock is on top of unit and flush with the surface - no protrusion. Unit shall be capable of dispensing 400 C-fold or 525 multifold paper towels 2-1/2" to 3-13/16" (64-97mm) deep.
 Backplate — Has recessed key lock mounting holes to prevent mounting screw heads from snapping towels 18-8, type-304,18 gauge (1.2mm).
 TowelMate® — part no. 262-130. Module, Type 304, 24-gauge (0.6mm) stainless steel. Black, 3/8" (10mm) diameter Nylon 6/6 Rod fastened to Module with two stainless steel sheet metal screws.

OPERATION:
 Unit dispenses C-fold or multifold paper towels 2-1/2" to 3-13/16" (64-97mm) deep without adjustment or use of adapters. After unlocking with key provided, cabinet swings down for loading paper towels into cabinet. Load paper onto the TowelMate within the cabinet, and then pull one sheet of paper towel over the TowelMate towel rod and out to conceal rod and start dispense. Slots in sides of cabinet indicate refill time. After unlocking with key provided, cabinet swings down for loading paper towels into cabinet.

INSTALLATION:
 Mount unit on wall with four #10 x 1-1/4" sheet-metal mounting screws (not finished) at points indicated by an S. For plaster or dry wall construction, provide concealed backing to comply with local building codes, then secure unit with sheet-metal screws. For other wall surfaces, provide fiber plugs or expansion shields for use with sheet-metal screws, or provide 1/8" (3mm) toggle bolts or expansion bolts.

SPECIFICATION:
 Unit is of type 304 gauge (1,2mm) stainless steel. All heliarc welded construction with well defined edges and corners. Cabinet is connected to backplate via a hinge at the unit's rear bottom, which prevents paper towels from falling out when opening. Door- limiter allows cabinet to open down to a horizontal position, which eases refill of paper towels and prevents cabinet from harming the wall when opening. Integrated TowelMate. Backplate has recessed key lock mounting holes to prevent mounting screw heads from snapping towels. Unit shall be capable of dispensing 400 C-fold or 525 multifold paper towels 2-1/2" to 3-13/16" (64-97mm) deep without adjustment or use of adapters.



ADA/CBC Installation Guidance
 *Operable Part: Paper towel dispenser opening on the bottom of the cabinet.
 Maximum mounting height of Operable Part:
 ADA/ICC: 48" (1220mm) above finished floor (AFF)
 CBC: 40" (1015mm) above finished floor (AFF)
 *For more information regarding operable parts, please refer to Bobrick Planning Guide for Accessible Restrooms, page 9.